



**Single 2000W
Caster Stand System**



**Single 2000W
Tri-pod System**



**Dual 2000W
Pit Light System**

Crash Test High Speed Photography Portable Lighting Systems

- High output 2000W short arc metal halide lamps supply 190,000 initial lumens minimizing the number of fixtures required to provide the specified light distribution pattern.
- Extremely efficient 2000W short arc metal halide lamps are five (5) times more efficient (lumens/watt) than halogen lamps and dramatically reduce heat transmission to sled and dummies.
- White light with 5500K color temperature and 92 CRI (Color Rendering Index) simulates natural sunlight delivering optimum light for high speed filming.
- Optional single or dual fixture systems provide cost effective configuration setup flexibility.
- Electronic ballasts may be positioned either on the lighting stand as a complete system, or placed on a remote rack away from the lighting fixtures.
- Proprietary Electronic Ballasts provide flicker-free lighting and reduced EMI noise.



APPLIED OPTICS

**EYE LIGHTING INTERNATIONAL
OF NORTH AMERICA, INC.**
A SUBSIDIARY OF IWASAKI ELECTRIC CO., LTD.

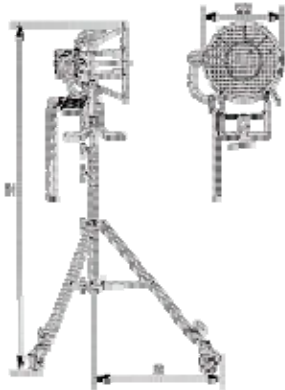
Address: 9150 Hendricks Rd., Mentor, OH 44060
Phone: 888-66-LAMPS Fax: 800-811-7395 E-Mail: sales@eyelighting.com
Phone: (440) 350-7000 Fax: (440) 350-7001 www.eyelighting.com

PRODUCT DESCRIPTION:

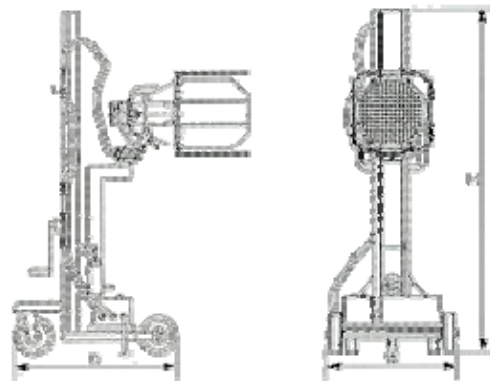
Part No.	Description
89715	Single 2000-watt Tri-pod System (cart not included)
89730	Single 2000-watt Caster Stand System
89745	Dual 2000-watt Pit Light System

Replacement Parts

57020	Lamp (2000W Short Arc)
-------	------------------------



ADJUSTABLE TRI-POD LIGHT:
 Vertical extension: 2300 – 3500 mm (90-140 in)
 (from floor level)
 Base Dimensions: Radius 800 mm (32 in)
 Tilt range: 0-60° (declination)
 Approximate weight: 40kg (90lb)



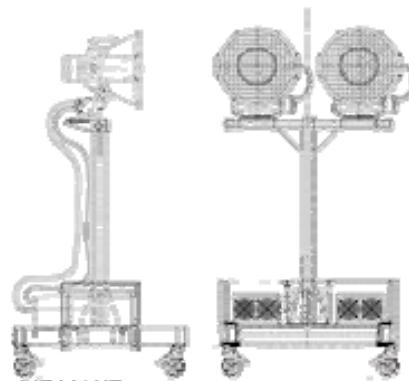
ADJUSTABLE CASTER STAND LIGHT:
 Vertical extension: 1500 – 2900 mm (60-115 in)
 (from floor level)
 Base Dimensions: W 850 mm (34 in) x D 1180 mm (47 in)
 Tilt range: 0-60° (declination)
 Approximate weight: 145kg (320lb)

BASIC SPECIFICATIONS:

Lamp Type: Short arc metal halide
 Voltage: 3 phase 3 wire 208V, 50/60 Hz
 Lamp Wattage: 2000W
 Lamp Color Rendering: 92 CRI
 Lamp Color Temperature: 5500° K
 Lamp Initial Lumens: 190,000 lumens
 Fixture Beam Spread: Super Spot; Spot;
 Flood; Super Flood

REGULATORY STANDARDS:

Systems meet JIS / METI
 and IEC standards for safety.



PIT LIGHT:
 Dimensions: H 1500 mm (60 in) x
 W 850 mm (34 in) x D 1180 mm (47 in)
 Tilt range: 0-60° (declination)
 Approximate weight: 145kg (320lb)



APPLIED OPTICS

EYE LIGHTING INTERNATIONAL
 OF NORTH AMERICA, INC.
 A SUBSIDIARY OF IWASAKI ELECTRIC CO., LTD.

Address: 9150 Hendricks Rd., Mentor, OH 44060
 Phone: 888-66-LAMPS Fax: 800-811-7395 E-Mail: sales@eyelighting.com
 Phone: (440) 350-7000 Fax: (440) 350-7001 www.eyelighting.com