

**12V / 150W High Output
Metal Halide System**



Crash Test High Speed Photography On-Board / Sled Lighting Systems

- High intensity 150W ceramic metal halide lamp supplies over 14,000 lux at 30 inches from subject, minimizing the number of fixtures required to provide the specified light distribution pattern.
- Extremely efficient 150W ceramic metal halide lamps are five (5) times more efficient (lumens/watt) than halogen lamps and dramatically reduce heat transmission to sled and dummies.
- Flicker-free, instant re-strike, 12V electronic inverter provides outstanding light output with minimal power consumption. Dramatically reduces power requirements in vehicle or on sled.
- White light with 92 CRI (Color Rendering Index) and 4300K color temperature simulates natural sunlight delivering optimum light for high speed filming.
- Optional Spot (narrow) or Flood (wide) beam reflectors provide cost effective configuration setup flexibility.
- Compact, High-G fixture allows maximum setup flexibility.



APPLIED OPTICS

**EYE LIGHTING INTERNATIONAL
OF NORTH AMERICA, INC.**
A SUBSIDIARY OF IWASAKI ELECTRIC CO., LTD.

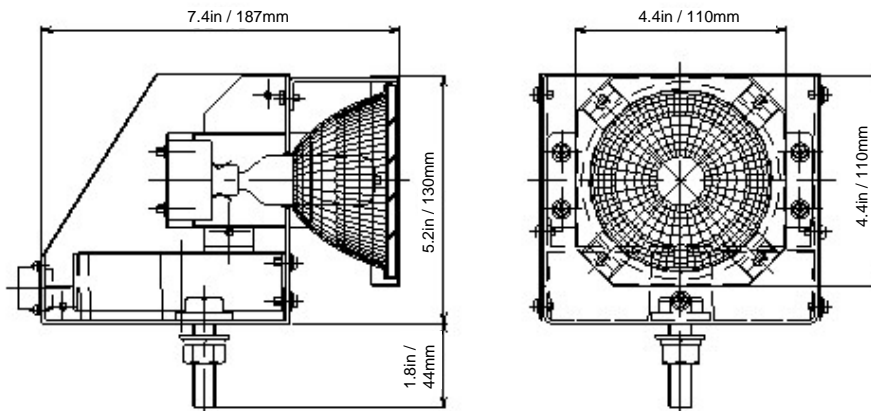
Address: 9150 Hendricks Rd., Mentor, OH 44060
Phone: 888-66-LAMPS Fax: 800-811-7395 E-Mail: sales@eyelighting.com
Phone: (440) 350-7000 Fax: (440) 350-7001 www.eyelighting.com

PRODUCT DESCRIPTION:

Part No.	Description
94162	On-Board Fixture 12V / 150W (Flood) includes lamp
94171	On-Board Fixture 12V / 150W (Spot) includes lamp

Options

94180	Spot Reflector (narrow beam option to replace Flood reflector)
94189	Flood Reflector (wide beam option to replace Spot reflector)
94199	3m (10ft) Power Cable (un-terminated)
56385	Replacement Lamp (EYE / Iwasaki 150W ceramic metal halide)

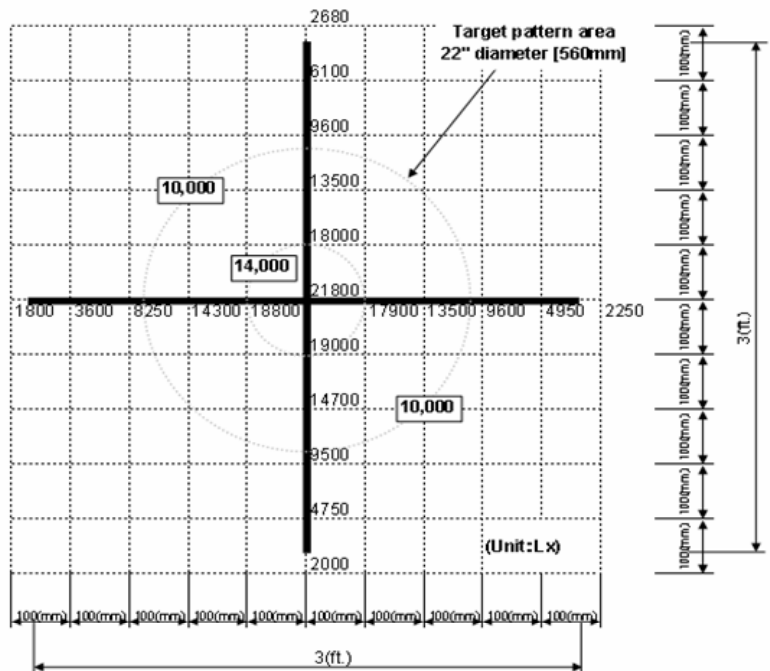


On-board Lighting Illuminance Measurement

(150W Flood on-board fixture operating at 12V; 30 inches from target)

BASIC SPECIFICATIONS:

- Lamp Type: EYE/Iwasaki ceramic high-output metal halide
- Voltage: 12V nominal (10-16V operating)
- Lamp Wattage: 150W
- Lamp Color Rendering: 93 CRI
- Lamp Color Temperature: 4300° K
- Lamp Initial Lumens: 14,500 lumens
- Fixture Beam Spread: Spot (narrow); Flood (wide)
- Weight: 4.5kg (9.9lbs)
- Shock Resistance: tested to 100g (under operating conditions)



APPLIED OPTICS

EYE LIGHTING INTERNATIONAL
OF NORTH AMERICA, INC.
A SUBSIDIARY OF IWASAKI ELECTRIC CO., LTD.

Address: 9150 Hendricks Rd., Mentor, OH 44060
Phone: 888-66-LAMPS Fax: 800-811-7395 E-Mail: sales@eyelighting.com
Phone: (440) 350-7000 Fax: (440) 350-7001 www.eyelighting.com